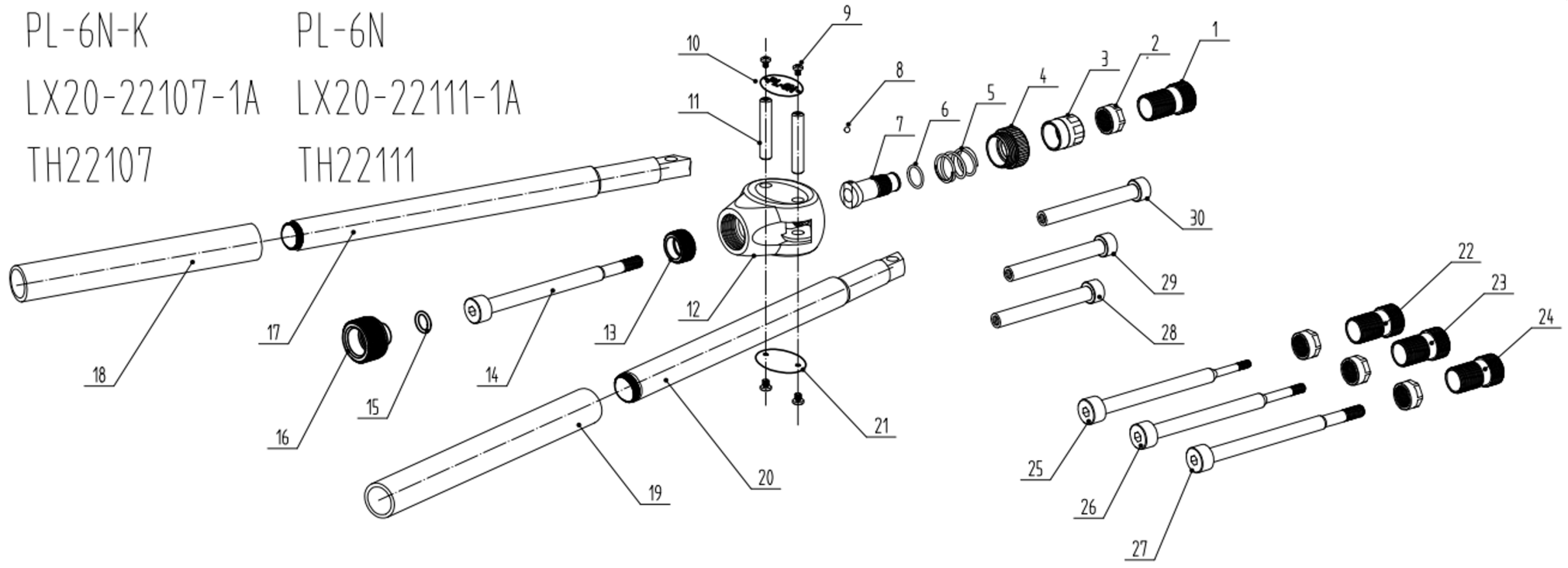


POS. ID	Item code	Description	Quantity
1	04L00438	Anvil M6	1
2	04P00435	Counternut	4
3	04L20121	Stroke adjust nut	1
4	04L20122	Push pedestal	1
5	04L20875	Push	1
6	04F60037	O-ring	1
7	04Z20901	Main push assembly	1
8	04F00102	Steel Ball	1
9	04L21636	Screw	4
10	04L20508	Type sign	1
11	04L20511	Bolt	2
12	04L20510	Body	1
13	04L20803	Spindle pedestal	1
14	04L20127	Mandrel M6	1
15	04F60166	O-ring	1
16	04Z20111	Knob assembly	1
17	04Z20902	Lever assembly (red cover)	1
18	04L20512	Red grip	1
19	04L20513	Black grip	1
20	04Z20903	Lever assembly (black cover)	1
21	04L20507	Logo plate	1
22	04L00434	Anvil M3	1
23	04L00436	Anvil M4	1
24	04L00437	Anvil M5	1
25	04L20130	Mandrel M3	1
26	04L20129	Mandrel M4	1
27	04L20128	Mandrel M5	1
28	04L20721	Rivetbolt puller M6	1
29	04L20722	Rivetbolt puller M5	1
30	04L20723	Rivetbolt puller M4	1



PL-6N-K

PL-6N

LX20-22107-1A

LX20-22111-1A

TH22107

TH22111